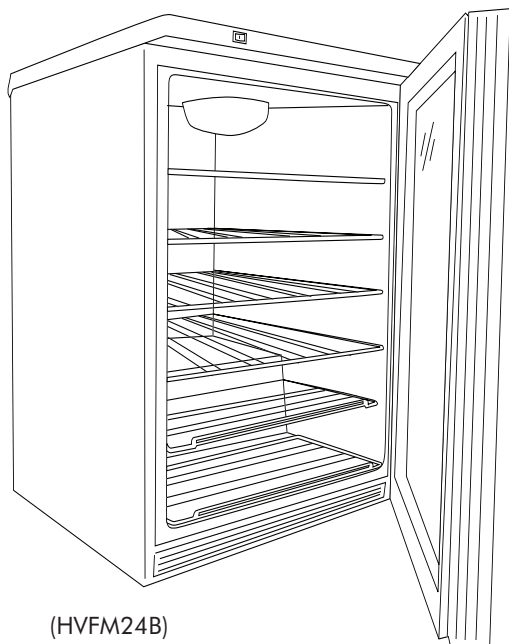


Wine Cellar

Rafraîchisseur à Vin

Enfriador de Vin



(HVFM24B)

User Manual
HVFM24B, HVF024B, HVF042B

Guide de l'Utilisateur
HVFM24B, HVF024B, HVF042B

Manual del Usuario Modelo
HVFM24B, HVF024B, HVF042B

Haier

Quality · Innovation · Style

IMPORTANT SAFEGUARDS

When using this appliance, always exercise basic safety precautions, including the following:

1. **Read all of the instructions before using this appliance.**
2. Use this appliance only for its intended purpose as described in this use and care guide.
3. This wine cellar must be properly installed in accordance with the installation instructions before it is used. See grounding instructions in the installation section.
4. Never unplug your wine cellar by pulling on the power cord. Always grasp the plug firmly and pull straight out from the outlet.
5. Unplug your wine cellar before cleaning or before making any repairs. **Note:** If for any reason this product requires service, we strongly recommend that a certified technician performs the service.
6. Repair or replace immediately, all electric power cords that have become frayed or otherwise damaged. Do not use a cord that shows cracks or abrasion damage along its length, the plug or the connector end.
7. This wine cellar should not be recessed or built-in an enclosed cabinet. It is designed for freestanding installation only.
8. If your old wine cellar is not being used, we recommend that you remove the door and leave the shelves in place. This will reduce possibility of danger to children.
9. Do not operate your wine cellar in the presence of explosive fumes.
10. Do not store foods in wine cellar as interior temperature may not be cool enough to prevent spoilage or may cause bacteria growth.

SAVE THESE INSTRUCTIONS

DANGER

Risk of child entrapment. Before you throw away your old wine cellar, take off the doors. Leave the shelves in place so that children may not easily climb inside.

Thank you for using our Haier product. This easy-to-use manual will guide you in getting the best use of your wine cellar.

Remember to record the model and serial number. They are on a label in back of the wine cellar.

Model number

Serial number

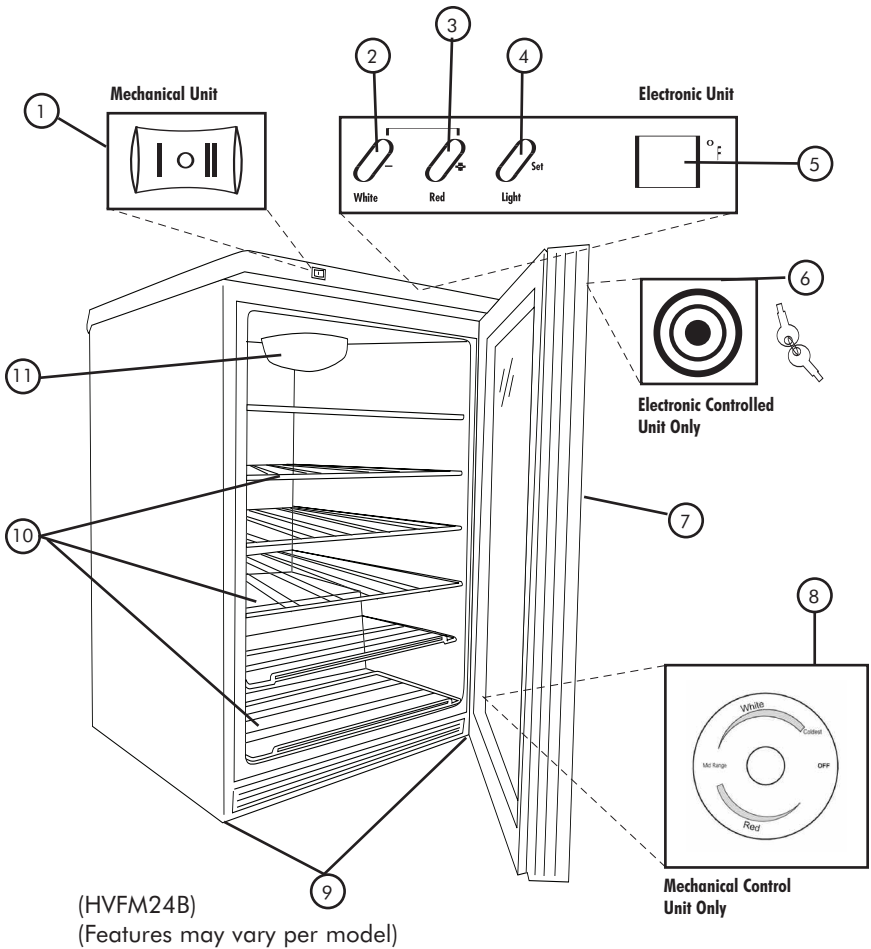
Date of purchase

Staple your receipt to your manual. **You will need it to obtain warranty service.**

Table Of Contents

	PAGE
Safety Precautions	1
Parts And Features	4
Installing Your Wine Cellar	5
Unpacking Your Wine Cellar	5
Leveling Your Wine Cellar	5
Proper Air Circulation.....	5
Electrical Requirements.....	6
Install Limitations	6
Use of Extension Cord	6
Wine Cellar Features And Use	7
Initial Set Up	7
Temperature Adjustment.....	7
Shelving	9
Interior Light	9
Door Lock	9
Normal Operating Sounds	9
Proper Wine Cellar Care and Cleaning	10
Cleaning and Maintenance.....	10
Power Interruptions.....	11
Vacation and Moving Care	11
Troubleshooting	12
Warranty Information	13

Parts And Features



1. Light On/Off Switch
2. White Wine Button (-)
3. Red Wine Button (+)
4. Interior Light Button (set)
5. LED Temperature Display
6. Door Lock and Key
(On electronic models only)
7. Door Handle (Style will vary per model purchased)

8. Temperature Control
9. Adjustable Leveling Legs
(not shown)
10. 5 Slide-Out Shelves-HVFM24B
5 Slide-Out Shelves-HVF24B
8 Slide-Out Shelves -HVF042B
(Style will vary per model purchased)
11. Interior Light

Installing Your Wine Cellar

Unpacking Your Wine Cellar

1. Remove all packaging material. This includes the foam base and all adhesive tape holding the wine cellar accessories inside and outside.
2. Inspect and remove any remains of packing, tape or printed materials before powering on the wine cellar.

Leveling Your Wine Cellar

- Your wine cellar has two leveling legs which are located in the front corners of your wine cellar. After properly placing your wine cellar in its final position, you can level your wine cellar.
- Leveling legs can be adjusted by turning them clockwise to raise your wine cellar or by turning them counterclockwise to lower your wine cellar. The wine cellar door will close easier when the leveling legs are extended.

Proper Air Circulation

- To assure your wine cellar works at the maximum efficiency it was designed for, you should install it in a location where there is proper air circulation, plumbing and electrical connections.
- The following are recommended clearances around the wine cellar:
Sides.....2" (50mm)
Top.....2" (50mm)
Back.....2" (50mm)
- Do not over fill your wine cellar for proper internal air circulation.

Electrical Requirement

- Make sure there is a suitable power Outlet (115 volts, 15 amps outlet) with proper grounding to power the wine cellar.
- Avoid the use of three plug adapters or cutting off the third grounding in order to accommodate a two plug outlet. This is a dangerous practice since it provides no effective grounding for the wine cellar and may result in shock hazard.

Install Limitations

- Do not install your wine cellar in any location not properly insulated or heated e.g. garage etc. Your wine cellar was not designed to operate in temperature settings below 55° Fahrenheit.
- Select a suitable location for the wine cellar on a hard even surface away from direct sunlight or heat source e.g. radiators, baseboard heaters, cooking appliances etc. Any floor unevenness should be corrected with the leveling legs located on the front and rear bottom corners of the wine cellar.
- Your wine cellar is designed for free-standing installation only. It is not designed for built-in application.

Use of Extension Cord

- Avoid the use of an extension cord because of potential safety hazards under certain conditions. If it is necessary to use an extension cord, use only a 3-wire extension cord that has a 3-blade grounding plug and a 3-slot outlet that will accept the plug. The marked rating of the extension cord must be equal to or greater than the electrical rating of the appliance.

Wine Cellar Features And Use

Initial Setup

Electronic Controlled Units:

Once you have plugged the unit into an electrical outlet, let the unit run for at least 30 minutes to acclimate itself before making any adjustments. During this time the Red Wine light may stay on.

Mechanical Controlled Units:

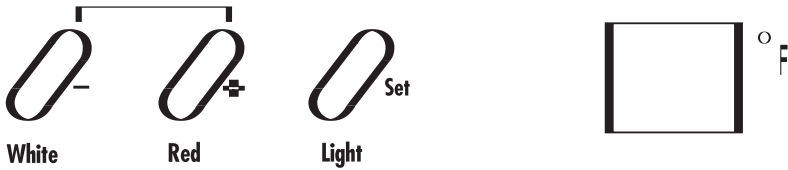
The control for this is on the back of the unit. There are red and white ranges. Initially set the temperature setting to mid range. Let the unit run for at least 30 minutes to acclimate itself before making any adjustments.

Temperature Adjustments:

Electronic Control Unit: See fig. # 1

- The wine cellar is preset from the factory to automatically accommodate temperature requirements for red or white wines. If you store mostly white wines, press the "White Wine" button and the wine cellar will maintain an average temperature between 45° to 50° F. Pushing the "Red Wine" button will yield an average temperature between 55° to 60° F.
- The wine cellar can be set to any temperature you desire to accommodate your wine storage requirements. To set the temperature, press both the "White Wine" and "Red Wine" buttons simultaneously and hold for approximately 3 seconds. Now you are in temperature set mode. Decrease the temperature by pushing the "White Wine" button and increase the temperature by pressing the "Red Wine" button. Pressing the appropriate button 3 times will adjust the temperature 3 degrees, press 4 times equals 4 degrees, 5 times equals 5 degrees, and so on. Once you have selected the temperature you desire, push the "Light/Set" button. Now the wine cellar is programmed and the LED readout will return to current internal temperature reading.

fig. # 1



- There will be approximately a 3 degree variance +/- between the temperature you select and the temperature indicated on the LED readout.

This occurs because the wine cellar activates and deactivates trying to maintain your desired temperature. There is often a variance between the top and bottom shelves of the wine cellar. Therefore, if you have set the wine cellar for 50° and have a mix of red and white wines, you may want to put the white wine on the bottom shelf where the temperature will be cooler, and place the red wine on the top shelf where the temperature will be warmer.

Mechanical Control Unit: See fig. # 2

- Your wine cellar has a temperature control knob on the back of the unit. There are red and white ranges: red being the warmest and white being the coolest. You can set the temperature of your wine cellar at any setting you desire.

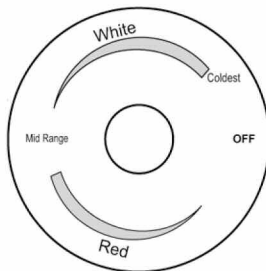


fig. # 2

Shelving

- The shelves are designed for flexibility and easy cleaning. To accommodate different sized bottles the shelves slide out and can be moved up or down into any of the tracks molded into the cellar cabinet. Larger bottles or Magnums can be more easily accommodated on the shelves of the bottom of the cellar. You will notice that the shelves are designed so the bottles do not line-up directly over one another. This allows free air movement and provides more space.

Interior Light

- To complement the look of your wine collection, a soft light has been built into the wine cellar. Simply push the "Light/Set" button on the electronic controlled unit, and the light comes on, push again for off. On the mechanical control units, the light switch is on the front for your convenience. For maximum energy efficiency, leave light off when not viewing your collection.

Door Lock (electronic controlled unit only)

- For safety and security, your wine cellar is equipped with a door lock. To eliminate the risk of accidental child entrapment, the lock was designed so that the door will not lock until the key is removed

Normal Operating Sounds You May Hear

- Boiling water, gurgling sounds or slight vibrations that are the result of the refrigerant circulating through the cooling coils.
- The thermostat control will click when it cycles on and off.

Proper Wine Cellar Care and Cleaning

Cleaning and Maintenance

Warning: To avoid electric shock always unplug your wine cellar before cleaning. Ignoring this warning may result in death or injury.

Caution: Before using cleaning products, always read and follow manufacturer's instructions and warnings to avoid personal injury or product damage.

General:

- Prepare a cleaning solution of 3-4 tablespoons of baking soda mixed with warm water. Use sponge or soft cloth, dampened with the cleaning solution, to wipe down your wine cellar.
- Rinse with clean warm water and dry with a soft cloth.
- Do not use harsh chemicals, abrasives, ammonia, chlorine bleach, concentrated detergents, solvents or metal scouring pads. SOME of these chemicals may dissolve, damage and/or discolor your wine cellar.

Door Gaskets: Clean door gaskets every three months according to general instructions. Gaskets must be kept clean and pliable to assure a proper seal.

- Petroleum jelly applied lightly on the hinge side of gaskets will keep the gasket pliable and assure a good seal.

Power Interruptions

- Occasionally there may be power interruptions due to thunderstorms or other causes. Remove the power cord from AC outlet when a power outage occurs. When power has been restored, replug power cord to AC outlet.

Vacation and Moving Care

- For long vacations or absences, unplug the wine cooler and clean the wine cellar and door gaskets according to "General cleaning" section. Prop doors open, so air can circulate inside. When moving always move the wine cellar vertically. Do not move with the unit lying down. Possible damage to the sealed system could occur.

Troubleshooting

Wine Cellar Does Not Operate

- Check if wine cellar is plugged in.
- Check if there is power at the ac outlet, by checking the circuit breaker.

Wine appears too warm

- Frequent door openings.
- Allow time for recently added wine to reach desired temperature.
- Check gaskets for proper seal.
- Clean condenser coils.
- Adjust temperature control to colder setting.

Wine temperature is too cold

- If temperature control setting is too cold, adjust to a warmer setting.

Wine cellar runs too frequently

- This may be normal to maintain constant temperature during high temperature and humid days.
- Doors may have been opened frequently or for an extended period of time.
- Clean condenser coils.
- Check gasket for proper seal.
- Check to see if doors are completely closed.

Moisture build up on interior or exterior of the wine cellar:

- This is normal during high humidity periods.
- Prolonged or frequent door openings.
- Check door gaskets for proper seal.

Wine Cellar door does not shut properly:

- Level the wine cellar.
- Check for blockages e.g. wine bottles, shelves.

Limited Warranty

What is covered and for how long?

This warranty covers all defects in workmanship or materials for a period of:

- 12 months labor**
- 12 months parts**
- 5 years sealed system**

The warranty commences on the date the item was purchased and the original purchase receipt must be presented to the authorized service center before warranty repairs are rendered.

EXCEPTIONS: Commercial or Rental Use

warranty

90 days labor (carry-in only)

90 days parts

No other warranty applies

What is covered.

1. The mechanical and electrical parts, which serve as a functional, purpose of this appliance for a period of 12 months. This includes all parts except finish, and trim.
2. The components of the sealed system e.g. hermetic compressor, condenser and evaporator from manufacturing defects for a period of 5 years from the date of purchase. Any damages to such components caused by mechanical abuse or improper handling or shipping will not be covered.

What will be done?

1. We will repair or replace, at our discretion any mechanical or electrical part which proves to be defective in normal usage during the warranty period so specified.
2. There will be no charge to the purchaser for parts and labor on any covered items during the initial 12month period. Beyond this period only parts are covered in the remaining warranty. Labor is not provided and must be paid by the customer.

3. Contact your nearest authorized service center. For the name of the nearest service center please call 1-877-337-3639

THIS WARRANTY COVERS APPLIANCES WITHIN THE CONTINENTAL UNITED STATES, PUERTO RICO AND CANADA. IT DOES NOT COVER THE FOLLOWING:

- Damages from improper installation.
- Damages in shipping.
- Defects other than manufacturing.
- Damage from misuse, abuse, accident, alteration, lack of proper care and maintenance or incorrect current or voltage.
- Damage from other than household use.
- Damage from service by other than an authorized dealer or service center.
- Decorative trims or replaceable light bulbs.
- Transportation and shipping.
- Labor (after the initial 12 months).

THIS LIMITED WARRANTY IS GIVEN IN LIEU OF ALL OTHER WARRANTIES, EXPRESSED OR, INCLUDING THE WARRANTIES OF MERCHANTABILITY AND FITNESS FOR A PARTICULAR PURPOSE

The remedy provided in this warranty is exclusive and is granted in lieu of all other remedies.

This warranty does not cover incidental or consequential damages, so the above limitations may not apply to you. Some States do not allow limitations on how long an implied warranty lasts, so the above limitations may not apply to you.

This warranty gives you specific legal rights, and you may have other rights, which vary, from state to state.

Haier America
New York, NY 10018

CONSIGNES DE SÉCURITÉ IMPORTANTES

Lorsque vous utilisez cet appareil, veuillez respecter les consignes de sécurité de base y compris les suivantes:

1. **Lisez toutes les instructions avant d'utiliser cet appareil.**
2. Utilisez cet équipement uniquement pour l'usage auquel il est destiné comme indiqué dans ce manuel d'utilisation et d'entretien.
3. Cette cave à vin doit être installée correctement et conformément aux instructions d'installation avant toute utilisation. Consultez les instructions de mise à la masse du chapitre consacré à l'installation pour de plus amples détails.
4. Ne débranchez jamais cet appareil en tirant sur le cordon d'alimentation. Saisissez fermement la fiche et tirez tout droit sur cette dernière.
5. Débranchez votre cave à vin avant de la nettoyer ou avant d'effectuer toute réparation. **Remarque:** Si pour une raison quelconque cet appareil doit être réparé, il est vivement recommandé que la réparation soit effectuée par un réparateur agréé.
6. Réparez ou remplacez immédiatement tout cordon ou câble électrique effiloché ou endommagé. Veillez à ne pas utiliser un câble présentant des craquelures ou des abrasions au niveau du cordon, de la fiche ou de l'extrémité du connecteur.
7. Cette cave à vin ne doit pas être placée en retrait ou encastrée à l'intérieur d'une cavité ou d'une armoire. Cet appareil est sensé être placé tout seul et sans support.
8. Si vous n'utilisez plus votre ancienne cave à vin, nous vous recommandons de retirer la porte et de laisser les étagères en place. Cela réduira les risques d'accident pour les enfants.
9. N'utilisez pas votre cave à vin en présence de vapeurs et d'émanations explosives.
10. Ne rangez pas d'aliments dans votre cave à vin car la température à l'intérieur risque de ne pas être suffisamment froide pour éviter que les aliments deviennent avariés et risquent de provoquer la prolifération de bactéries.

CONSERVEZ CES INSTRUCTIONS

DANGER

Cet équipement présente un risque d'enfermement pour les enfants. Avant de vous débarrasser de votre cave à vin, veuillez enlever les portes. Laissez les étagères en place afin que les enfants ne puissent pas grimper à l'intérieur.

Merci d'avoir fait l'achat de cet équipement Haier. Cette notice facile à consulter vous aidera à utiliser au mieux votre cave à vin.

N'oubliez pas d'enregistrer les numéros de modèle et de série. Ils se trouvent sur une étiquette à l'arrière de la cave à vin.

Numéro de modèle

Numéro de série

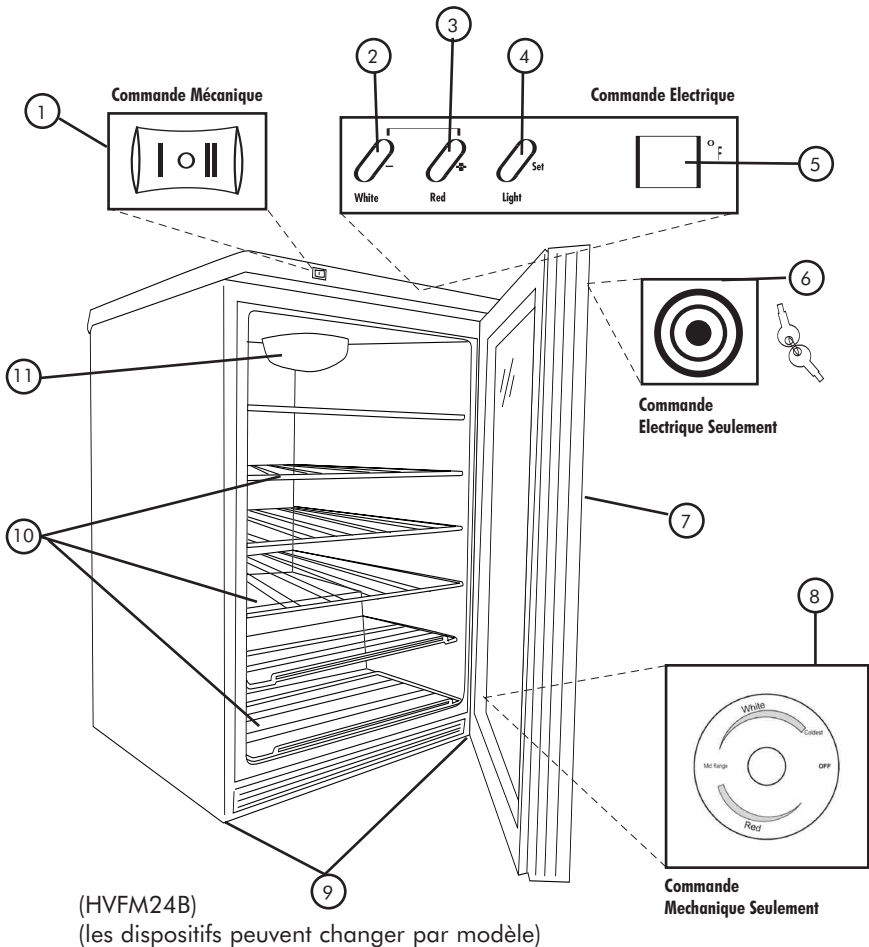
Date d'achat

Veillez agraffer votre facture avec votre manuel. **Vous en aurez besoin pour bénéficier de la garantie.**

Sommaire

	PAGE
Mesures de Sécurité	1
Pièces et Caractéristiques	4
Installation du Réfrigérateur à Vin	5
Désemballage du Réfrigérateur à Vin	5
Réglage du Réfrigérateur à Vin	5
Circulation d’Air Adéquate	5
Caractéristiques Electriques	5
Installez Les Limitations	5
Utilisation de corde d'extension.....	5
Caractéristiques du Réfrigérateur à Vin	7
Montage Initial	7
Ajustements de Température.....	7
Tablettes	9
Lumière Intérieure	9
Serrure de porte	9
Bruits de Fonctionnement lors d'une Exploitation Normale	9
Entretien et Nettoyage du Réfrigérateur à Vin	10
Nettoyage et Maintenance	10
Coupures de Courant.....	11
Entretien lors des Vacances ou d'un Déménagement	11
Guide de Dépannage	12
Garantie	14

Pièces et Caractéristiques



1. Commutateur 'On/Off' léger
2. Bouton pour le Vin Blanc (-)
3. Bouton pour le Vin Rouge (+)
4. Bouton de Lumière Intérieure (set)
5. Afficheur de Lumière à Incandescence
6. Door Lock and Key (sur les modèles électroniques seulement)
7. Béquille de porte (le modèle changeront par modèle acheté)
8. Commande de Température
9. Jambes de Mise à Niveau Réglables (non illustrées)
10. 5 Clayettes Amovibles-HVFM24B
5 Clayettes Amovibles-HVF24B
8 Clayettes Amovibles -HVFO42B
(le modèle changeront par modèle acheté)
11. Lumière Intérieure

Installation du Réfrigérateur à Vin

Déemballage du Réfrigérateur à Vin

1. Retirer l'ensemble du matériel d'emballage. Ceci comprend la base en mousse ainsi que l'ensemble du matériel adhésif qui maintient les accessoires du réfrigérateur à vin l'intérieur tout comme à l'extérieur.
2. Inspecter et enlever tout restant d'emballage, de scotch ou de matériaux imprimés avant de brancher le réfrigérateur à vin.

Réglage du Réfrigérateur à Vin

- Votre refroidisseur de vin a deux jambes de mise à niveau qui sont placées dans les coins avant de votre refroidisseur de vin.
- Pour régler les pieds de mise à niveau, les tourner dans le sens des aiguilles d'une montre afin de surélever le réfrigérateur à vin et dans le sens inverse des aiguilles d'une montre pour l'abaisser. La porte du réfrigérateur à vin se ferme plus facilement lorsque les pieds de mise à niveau sont surélevés.

Circulation d'Air Adéquate

- Pour être sûr que le réfrigérateur à vin fonctionne à son maximum d'efficacité, l'installer dans un environnement favorable à une bonne circulation d'air et possédant des connexions de plomberie et d'électricité saines.
- Les indications suivantes concernent l'espace recommandé autour du réfrigérateur à vin:
 - Latéralement.....50mm (2")
 - Partie supérieure.....50mm (2")
 - Arrière.....50 mm (2")
- Ne remplissez pas au-dessus du niveau votre refroidisseur de vin pour la circulation interne appropriée d'air.

Caractéristiques Electriques

- Pour l'alimentation du réfrigérateur à vin, veiller à utiliser une prise de courant convenable (prise de 115 volts, 15 amp) raccordée à la terre.
- Eviter d'utiliser des adaptateurs à trois fiches ou de sectionner la troisième fiche reliée à la terre dans le but d'utiliser un branchement à deux fiches. Cette pratique pourrait s'avérer dangereuse dans la mesure où le réfrigérateur à vin n'est pas relié convenablement à la terre, et risquerait de causer des risques d'électrocution.

Limitations relatives à l'Installation

- Ne pas installer le réfrigérateur à vin dans un endroit qui n'est pas convenablement isolé ou chauffé ; comme par exemple un garage, etc. Le réfrigérateur à vin n'est pas conçu pour fonctionner à des températures inférieures à 12°C.
- Choisir un endroit convenable et placer le réfrigérateur à vin sur une surface solide et plane, loin de sources de chaleur telles que : les radiateurs, les éléments chauffants à plinthes, les cuisinières, etc. N'importe quelle inégalité de plancher devrait être corrigée avec les jambes de mise à niveau placées sur les coins plan et arrière de votre refroidisseur de vin.
- Votre refroidisseur de vin est conçu pour l'installation debout libre seulement. Il n'est pas conçu pour le bult dans l'application.

Utilisation de rallonges

- Évitez d'utiliser une rallonge électrique car, dans certains cas, cela peut entraîner des risques pour la santé. S'il est indispensable d'utiliser un cordon d'extension, utilisez une rallonge à trois conducteurs disposant d'une fiche mâle à trois broches avec mise à la masse et branchez-la sur une prise femelle susceptible d'accepter la fiche. Le calibre défini du cordon d'extension doit être égal ou supérieur à celui de l'équipement.

Caractéristiques du Réfrigérateur à Vin

Montage Initial

Unité de commande électronique:

Après avoir branché l'appareil dans une prise de courant, laissez l'appareil s'acclimater au moins pendant 30 minutes avant de procéder à quelconque ajustement. Pendant ce temps, il se peut que la lumière Vin Rouge reste allumée.

Unité De Commande Mécanique:

Le contrôle pour ceci est sur le dos de l'unité. Il y a des gammes rouges et blanches. Au début régler la température réglant à la mi-gamme. Laisser la course d'unité pour au moins 30 minutes pour lui-même acclimater avant de faire n'importe quels ajustements.

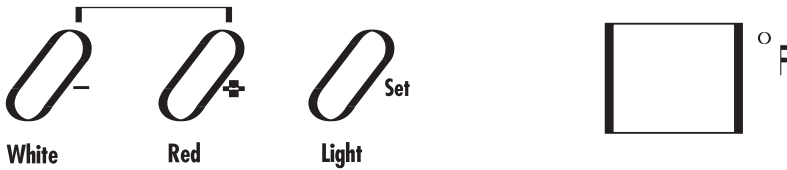
Ajustements de température:

Unité de commande électronique: Voir fig. # 1

- Le réfrigérateur à vin est pré-réglé à la fabrique pour s'adapter automatiquement aux conditions de température pour les vins rouge ou blanc. Si vous y placer principalement des vins blancs, appuyez sur le bouton "Vin Blanc" et le réfrigérateur à vin maintiendra une température moyenne variant entre 7° C et 10° C. En appuyant sur le bouton "Vin Rouge", la température se situera entre 12° C et 15° C.
- Le réfrigérateur à vin peut être réglé à la température que vous désirez pour satisfaire vos exigences de refroidissement. Pour régler la température, pressez simultanément sur les boutons "Vin Rouge" et "Vin Blanc" pendant environ 3 secondes. Vous serez au mode de réglage de la température. Baissez la température en appuyant sur le bouton "Vin Blanc" et augmentez la température en appuyant sur le bouton "Vin Rouge".

En appuyant sur le bouton 3 fois la température s'ajustera de 3 degrés, 4 fois équivaut à 4 degrés, 5 fois équivaut à 5 degrés et ainsi de suite. Une fois que vous avez sélectionné la température désirée, appuyez sur le bouton "Lumière". Le réfrigérateur à vin est maintenant programmé et le dispositif d'affichage à diodes lumineuses retournera à la lecture de température courante.

fig. # 1



- Il peut y avoir approximativement une variance de 3 degrés (+/-) entre la température choisie et celle indiquée sur le dispositif d'affichage à diodes lumineuses. Cela se produit parce que le réfrigérateur à vin s'active et se désactive pour essayer de maintenir la température désirée. Il y a souvent une variance de entre la tablette du haut et celle du bas du réfrigérateur à vin. Donc, si vous avez réglé le réfrigérateur à vin à 10°C et que vous avez placé des vins rouges et blancs, vous pourriez placer le vin blanc sur la tablette du bas où la température sera de plus frais et placer le vin rouge sur la tablette du haut où la température sera de plus chaud.

Unité De Commande Mécanique: Voir fig. # 2

- Votre cave a un bouton de régulation de la température sur le dos de l'unité. Il y a des gammes rouges et blanches : rouge être le plus chaud et blanc être le plus frais. Vous pouvez régler la température de votre cave à n'importe quel cadre que vous désirez.

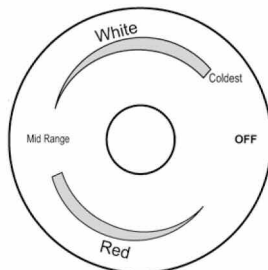


fig. # 2

Tablettes

- Les tablettes sont conçues pour le nettoyage flexible et facile. Pour recevoir différents formats de bouteilles, les tablettes se glissent et peuvent être insérées à la hauteur désirée dans toutes les voies moulées dans le meuble réfrigérant. Les plus grosses bouteilles ou les Magnums peuvent être plus facilement placées sur les tablettes transversales situées dans le bas du réfrigérateur à vin. Vous noterez que les tablettes sont conçues de façon à ce que les bouteilles ne soient pas alignées les unes par dessus les autres. Ceci permet le mouvement d'air libre et fournit plus d'espace.

Lumière intérieure

- Pour compléter l'apparence de votre collection de vins, une petite lumière a été insérée dans le réfrigérateur à vin. Sur l'unité de commande électronique appuyez simplement sur le bouton "Lumière" et la lumière s'allume, appuyez une autre fois et elle s'éteint. Sur l'unité de commande mécanique, le commutateur léger est sur l'avant pour votre convenienc. Pour une efficacité énergétique optimale, laissez la lumière éteinte lorsque vous ne contemplez pas votre collection.

Serrure de Porte (unité électronique seulement)

- Pour des raisons de sûreté et de sécurité, votre réfrigérateur à vin est muni d'une serrure de porte. Pour éliminer les risques d'emprisonnement accidentel d'un enfant, la serrure a été conçue pour que la porte ne se verrouille pas tant que la clé n'a pas été retirée

Bruits de Fonctionnement lors d'une Exploitation Normale

- Les éléments de refroidissement tubulaires (serpentins refroidisseurs) font des bruits d'ébullition, des gargouillements et provoquent de légères vibrations.
- La commande du thermostat émettra un déclic lorsque qu'elle s'allume et s'éteint.

Entretien e Nettoyage du Réfrigérateur à Vin

Nettoyage et Maintenance

Attention: Pour éviter les risques d'électrocution; toujours débrancher le réfrigérateur à vin avant de le nettoyer. Le non respect de cette mesure peut entraîner des blessures graves ou mortelles.

Précautions: Avant d'avoir recours à des produits d'entretien, toujours consulter et suivre les instructions du fabricant et recommandations afin d'éviter toute blessure éventuelle et risque de dégât de matériel.

Généralités:

- Préparer une solution de nettoyage comportant 3 à 4 cuillerées à soupe de bicarbonate de soda mélangé à de l'eau chaude. A l'aide d'une éponge ou un tissu doux humectés de solution de nettoyage; essuyer le réfrigérateur à vin.
- Rincer à l'eau chaude et sécher à l'aide d'un tissu doux.
- Ne pas utiliser de détergents chimiques, abrasifs, ou contenant de l'ammoniaque ou du chlore, ni de solvants ou de tampons à récuser en métal. CERTAINS de ces produits chimiques peuvent dissoudre, endommager et/ou décolorer le réfrigérateur à vin.

Joints de porte:

- Nettoyer les joints de porte tous les trois mois en suivant les instructions générales fournies. Les joints doivent rester propres et flexibles afin d'assurer une bonne étanchéité.
- Une fine couche de gelée de pétrole appliquée sur le côté des joints comportant les charnières permet de préserver la flexibilité de ces derniers et d'assurer une bonne étanchéité.

Coupires de Courant

- Des pannes d'alimentation occasionnelles peuvent survenir à cause d'une tempête ou de causes autres. Retirer le cordon d'alimentation de la prise CA pendant toute la durée de la coupure d'alimentation. Lorsque le courant électrique est rétabli, rebrancher le cordon dans la prise CA.

Vacances et Déménagement

- Pendant les périodes de vacances ou d'absence prolongée, placer le CADRAN de température sur la position 'OFF' (arrêt) et nettoyer le réfrigérateur à vin ainsi que les joints de porte en suivant les procédures du chapitre intitulé 'Nettoyage général'. Faire en sorte que la porte reste ouverte de manière à ce que l'air puisse circuler à l'intérieur. Toujours déplacer le réfrigérateur à vin en position verticale. Ne pas déplacer l'appareil en position horizontale. Ceci pourrait endommager le système d'étanchéité.

Dépannage

Le Réfrigérateur à vin ne fonctionne pas:

- Veiller à ce que le réfrigérateur à vin soit bien branché.
- Veiller à ce que la prise de courant CA fonctionne bien en vérifiant le disjoncteur.

Le vin semble trop chaud:

- La porte est ouverte trop fréquemment.
- Accordez l'heure pour le vin récemment ajouté d'atteindre la température désirée
- Vérifier l'étanchéité des joints.
- Nettoyer les condenseurs.
- Régler le programmeur de température sur froid.

La température de vin est trop froide:

- Si le programmeur de température est placé sur une position trop froide, le régler sur une position plus chaude.

Le réfrigérateur à vin se met en marche trop fréquemment:

- Il peut s'agir de l'activité normale pour maintenir une température constante lorsque la température extérieure ou le taux d'humidité dans l'air sont élevés.
- Les portes ont été ouvertes trop fréquemment ou pendant une période de temps prolongée.
- Nettoyer les condenseurs.
- Vérifier l'étanchéité des joints.
- Veiller à ce que les portes soient bien fermées.

**Accumulation d'humidité à l'intérieur ou à l'extérieur
du réfrigérateur à vin:**

- Ceci est normal pendant les périodes de grande chaleur humide.
- Ouvertures de la porte prolongée ou trop fréquente.
- Vérifier l'étanchéité des joints.

**La porte du réfrigérateur à vin/congélateur ne ferme
pas correctement:**

- Mettre le réfrigérateur à niveau.
- Vérifiez les colmatages, par exemple: bouteilles de vinétageres.

Garantie Limitée

Éléments sous garantie et durée de la garantie:

Cette garantie couvre tous les défauts de main-d'œuvre et de matériaux pour une période de:

12 mois pour la main d'œuvre

12 mois pour les pièces

5 ans pour le système d'étanchéité

La garantie prend effet le jour de l'achat de l'article. Le ticket de caisse d'origine doit être présenté au centre de réparation agréé pour toute réparation sous garantie.

EXCEPTIONS: Garantie pour usage commercial ou location.

90 jours pour la main d'œuvre (service en atelier uniquement)

90 jours pour les pièces

Aucune autre garantie n'est applicable

Couverture.

1. Les pièces électriques et mécaniques servant au fonctionnement de l'appareil, pour une période de 12 mois. Ceci comprend l'ensemble des pièces, à l'exception de la finition et des garnitures.
2. Les composants du système d'étanchéité, tels que le compresseur hermétique, le condenseur et l'évaporateur, contre tous défauts de fabrication, pour une période de 5 ans à compter de la date d'achat. Tout dommage concernant ces composants et résultant d'un abus d'ordre mécanique, d'une utilisation incorrecte, ou de méthodes d'expédition inadéquates, ne sera pas compris dans la garantie.

Réparations qui seront effectuées:

1. Nous nous engageons à réparer ou remplacer, à notre discrétion, toute pièce électrique ou mécanique s'avérant défectueuse dans des conditions normales d'utilisation, au cours de la période de garantie spécifiée.
2. L'acheteur ne subira aucun frais pour les pièces et la main-d'œuvre couvertes par la garantie, au cours de la première période de 12 mois. Au-delà de cette période, seules les pièces seront couvertes par la durée

restante de la garantie. La main-d'œuvre n'est pas pourvue et est à la charge du client.

3. Contacter le centre de réparations agréé le plus proche. Pour obtenir les nom et adresse du centre le plus proche, appeler le 1-877-337-3639

LES APPAREILS SONT COUVERTS PAR LA GARANTIE SUR LE

TERRITOIRE CONTINENTAL DES ETATS-UNIS, Á PUERTO RICO ET AU CANADA:

Les dommages résultant d'une installation incorrecte. Les dommages survenus pendant le transport. Les défauts ne résultant pas de la fabrication. Les dommages résultant d'un usage incorrect ou abusif, d'un accident, de modifications, d'un manque d'entretien ou de maintenance, ou d'une tension incorrecte. Les

dommages résultant d'un usage autre que l'usage ménager. Les dommages résultant d'un entretien ou de réparations par quiconque autre qu'un distributeur ou centre de réparations agréé. Garnitures décoratives ou ampoules pouvant être remplacées. Transport et Frais d'envoi. Main d'œuvre (après la période initiale de 12 mois)

CETTE GARANTIE LIMITÉE REMPLACE TOUTE AUTRE GARANTIE EXPRESSE OU IMPLICITE, Y COMPRIS LES GARANTIES DE VALEUR MARCHANDE OU D'ADÉQUATION A UN USAGE PRECIS

Le recours offert dans cette garantie est exclusif et est accordé à l'exclusion de tout autre.

La garantie ne couvrant pas les dommages directs et indirects, les limitations ci-dessus peuvent ne pas s'appliquer à tous les cas. Certains états ne permettant pas la limitation de la durée des garanties implicites, les limitations ci-dessus peuvent ne pas s'appliquer à tous les cas.

Cette garantie confère à l'acheteur des droits spécifiques et celui-ci peut bénéficier d'autres droits qui varient selon les états.

Haier America
New York, NY 10018

IMPORTANTES MEDIDAS DE SEGURIDAD

Cuando utilice esta unidad siempre siga las precauciones básicas de seguridad incluyendo las siguientes:

1. **Lea todas las instrucciones antes de utilizar esta unidad.**
2. Utilice la cava de vinos solo para su entendido uso como se describe en este manual
3. Este Cava de vinos debe estar correctamente instalada antes de su utilización de acuerdo a las instrucciones brindadas en la sección de instalación de este manual. Ver instrucciones de conexión a tierra.
4. Nunca desenchufe la unidad tirando del cable de corriente. Siempre agarre y sostenga el enchufe firmemente y tire hacia fuera de la toma de corriente.
5. Desenchufe antes de limpiar o antes de hacer algún tipo de reparación. **Nota:** Si por alguna razón es necesario llamar al service nosotros recomendamos que un técnico calificado se encargue del mismo.
6. Reemplace o repare inmediatamente todos aquellos cables que estén dañados o rasgados. No utilice cables que presenten abrasiones o daños a lo largo del mismo, en el enchufe o en el final de la conexión.
7. Esta unidad no debe ser ubicada en un gabinete o lugar cerrado. Está diseñada para la instalación en lugares abiertos.
8. Si la Cava de vinos no está siendo utilizada, recomendamos que retire la puerta y los estantes de la misma, de modo de reducir el posible daño a chicos.
9. No opere en presencia de gases explosivos.
10. No almacene alimentos ya que la temperatura no es adecuada como para mantener el estado de los mismos.

GUARDE ESTAS INSTRUCCIONES

PELIGRO

Existe el riesgo de que los niños puedan quedar atrapados dentro. Antes de tirar su enfriador de vino, quite las puertas. Deje los anaqueles en su lugar para que los niños no puedan entrar fácilmente en el interior."

Gracias por utilizar nuestro producto Haier. Este sencillo manual le orientará con respecto al mejor uso que puede darle a su enfriador de vino.

Recuerde de guardar el número de serie y de modelo. Se encuentran en la etiqueta trasera de la unidad.

Número de modelo

Número de serie

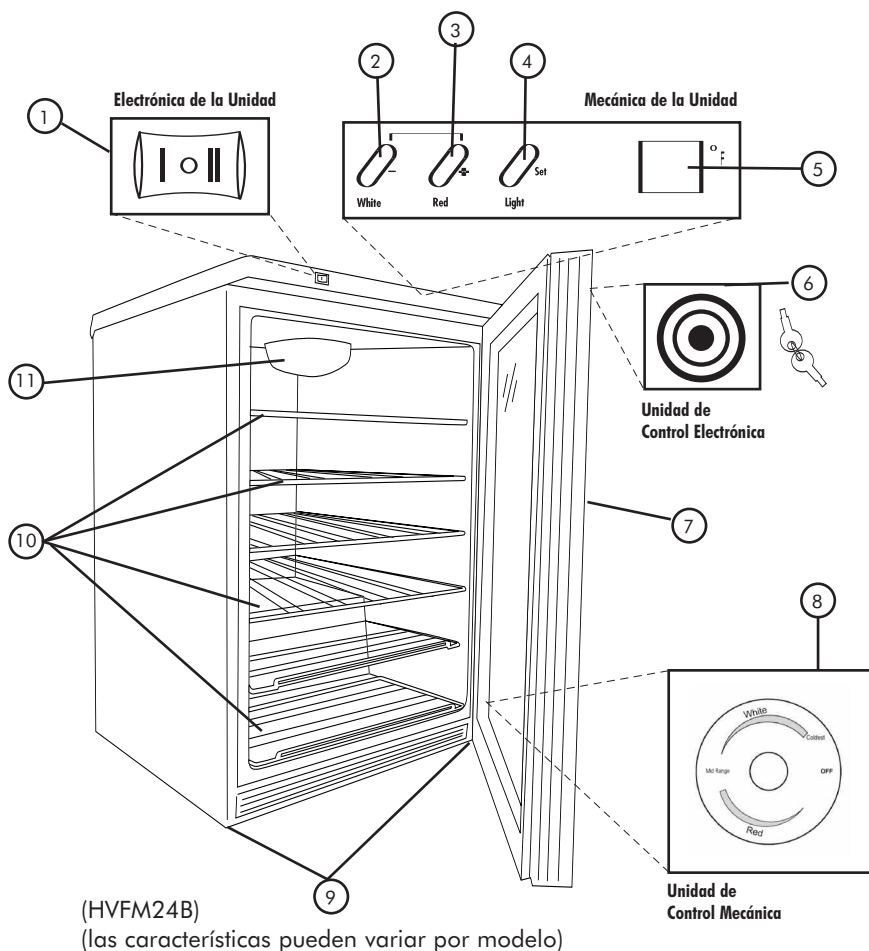
Fecha de compra

Adjunte su factura a este manual. **Será necesaria para poder hacer uso de los servicios de garantía.**

Índice

	PAGINA
Instrucciones Precautorias	1
Piezas y Características	4
Instalación de su Refrigerador del Vino	5
Desempaque de su Refrigerador del Vino	5
Nivelación de su Refrigerador del Vino	5
Circulación Apropiadada del Aire	5
Requisitos Eléctricos	6
Limitaciones de Instalacion.....	6
Uso de la Cuerda de la Extensión.....	6
Características y uso del Refrigerador del Vino	7
Programación Inicial	7
Ajustes de la Temperatura	7
Anaqueles	9
Luz Interior.	10
Cerradura de la Puerta.....	10
Ruidos de Operacion normales que Pueda Escuchar	10
Cuidados y Limpieza Asecuada del Refrigerador del Vino	11
Limpieza y Mantenimiento	11
Interrupciones de la Corriente Eléctrica	12
Vacaciones y Mudanza	12
Verificación de Problemas	13
Información de Garantía	15

Piezas y Características



1. Interruptor "On/Off" Ligero
2. Botón para Vino Blanco (-)
3. Botón para Vino Tinto (+)
4. Botón de Luz Interior (set)
5. Pantalla LED de Temperatura
6. Bloqueo y Clave de la Puerta (en modelos electrónicos solamente)
7. Agarradera de la puerta (el estilo variarán por el modelo comprado)
8. Control de la Temperatura
9. Piernas de nivelación Ajustables (no mostradas)
10. 5 Estantes Movibles-HVFM24B
5 Estantes Movibles-HVF24B
8 Estantes Movibles -HVF042B
(el estilo variarán por el modelo comprado)
11. Luz Interior

Instalación de Su Refrigerador del Vino

Desempaque de su Refrigerador del Vino

1. Retire todo el material de embalaje. Esto incluye la base de espuma y toda la cinta adhesiva que sostiene los accesorios del refrigerador del vino en el interior y exterior.
2. Inspeccione y retire cualesquier restos del embalaje, la cinta adhesiva o los materiales impresos antes de encender el refrigerador del vino.

Nivelación de su Refrigerador del Vino

- Su refrigerador del vino tiene dos piernas de nivelación que estén situadas en las esquinas delanteras de su refrigerador del vino. Después de haber colocado su refrigerador en la posición definitiva, puede nivelar su refrigerador del vino.
- Puede ajustar las patas niveladoras girándolas a la derecha para elevar el refrigerador del vino y girándolas a la izquierda para bajarlo. La puerta del refrigerador del vino cerrará con más facilidad cuando las patas niveladoras son elevadas.

Circulación Apropiadado del Aire

- Para asegurar que su refrigerador del vino funcione con la eficiencia máxima para la que fue diseñado, éste debe ser instalado en un lugar donde haya una circulación de aire adecuada, conexiones eléctricas y de tubería.
- Estas son las distancias recomendadas que deben dejarse alrededor del refrigerador del vino:

Lados.....	50 mm
Parte Superior.....	50 mm
Parte Posterior.....	50 mm
- No el terraplén del excedente su refrigerador del vino para la circulación de aire interna apropiada.

Requisitos Eléctricos

- Asegúrese de que haya un tomacorriente apropiado (115 V, 15 Amp.) con una conexión a tierra apropiada para hacer funcionar el refrigerador del vino.
- Evite el uso de adaptadores de tres patas o el cortar la tercer pata de conexión a tierra para poder conectar en un tomacorriente bifásico. Esto sería una práctica muy peligrosa ya que no proveería al refrigerador del vino con una conexión a tierra adecuada y podría resultar un riesgo de descarga eléctrica.

Limitaciones de Instalación

- No instale su refrigerador del vino en ningún lugar que no tenga el aislamiento o la calefacción apropiada, por ejemplo una cochera, etc. Su refrigerador del vino no fue diseñado para funcionar en temperaturas abajo de los 12° Centígrados (55°F).
- Seleccione un lugar adecuado para el refrigerador del vino sobre una superficie sólida y nivelada alejado de los rayos directos del sol o de una fuente de calor como la de los radiadores, rejillas de calefacción, estufas, etc. Cualquier desnivelación del piso debe ser corregido con las patas niveladoras ubicadas en las esquinas inferiores frontales del refrigerador del vino.
- Su refrigerador del vino se diseña para la instalación libre solamente. No se diseña para la aplicación incorporada.

Uso de Alargues

- Evite el uso de alargues de modo de evitar shocks eléctricos en ciertas circunstancias. Si fuese necesario utilizar un alargue, utilice sólo uno de tres cables y con enchufe de tres patas. Debe ser compatible con la unidad.

Características y Uso del Refrigerador del Vino

Programación Inicial

Unidad de Control Electrónico:

Después de que haya conectado la unidad en un tomacorriente eléctrico, deje que la unidad se aclimate funcionando por lo menos 30 minutos antes de hacerle cualquier ajuste. Durante este tiempo la luz del vino tinto puede que esté encendida.

Unidad de Control Mecánica:

El control para esto está en la espalda de la unidad. Hay las gamas blanquirojas. Ponga inicialmente la colocación de la temperatura a la gama media. Permita que la unidad corra para por lo menos 30 minutos de aclimatarse antes de hacer cualquier ajuste.

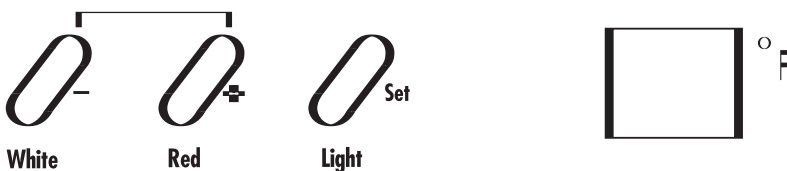
Ajustes la Temperatura:

Unidad de Control Electrónico: Vea fig. # 1

- El enfriador de vino está programado de fábrica para que automáticamente se ajuste a los requerimientos de temperatura para los vinos tinto o blanco. Si usted en su mayoría guarda vinos blancos, presione el botón de "White wine" (vino blanco) y el enfriador de vino mantendrá una temperatura promedio entre 7° y 10°C. Al presionar el botón de "Red Wine" (vino tinto), mantendrá una temperatura promedio de 12° a 15°C.
- El enfriador de vino puede programarse a cualquier temperatura que usted desee dependiendo de las necesidades de enfriamiento que usted necesite. Para programar la temperatura, presione ambos botones de "White Wine" y el "Red Wine" simultáneamente y manténgalo oprimidos por aproximadamente 3 segundos. Ahora usted se encuentra en la modalidad de programación de la temperatura. Para disminuir la temperatura oprima el botón "White Wine" y para incrementarla oprima el botón "Red Wine".

Al presionar el botón 3 veces usted ajustará la temperatura 3 grados, oprima 4 veces y dará como resultado 4 grados, 5 veces y serán 5 grados y así sucesivamente. Una vez que haya seleccionado la temperatura deseada, oprima el botón "Light" (Luz). Ahora el enfriador de vino ha sido programado y la pantalla LED retornará a la temperatura interna actual.

fig. # 1



- Habrá una variante de aproximadamente 3 grados +/- entre la temperatura que usted seleccionó y la temperatura indicada en la pantalla LED. Esto ocurre porque el enfriador de vino se activa y desactiva tratando de mantener la temperatura que usted programó. Hay a menudo una variante de entre los anaqueles superiores e inferiores del enfriador de vino. De manera que si usted ha programado el enfriador de vino a 10°C y tiene una mezcla de vino tinto y vino blanco, usted deberá poner el vino blanco en el anaquel inferior donde la temperatura será más fresco y colocar el vino tinto en el anaquel superior donde la temperatura será más tibio.

Unidad de Control Mecánica: Vea fig. # 2

- Su bodega tiene una perilla de control de temperatura en la espalda de la unidad. Hay las gamas blanquirrojas: rojo es el más tibio y blanco es el más fresco. Usted puede poner la temperatura de su bodega en cualquier colocación que usted desea.

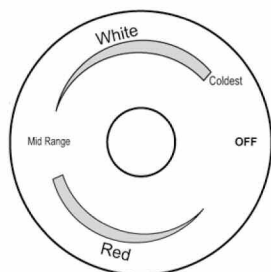


fig. # 2

Anaqueles

- Los anaqueles están cromados para dar una buena apariencia y una limpieza fácil. Para acomodar varios tamaños de botellas, los anaqueles se deslizan hacia fuera y se pueden mover hacia arriba o hacia abajo en cualquiera de los rieles moldeados en el gabinete del enfriador. Las botellas grandes o "Magnums" pueden ser más fácilmente acomodadas en los anaqueles en el fondo del enfriador. Usted notará que los anaqueles están diseñados de manera que las botellas no se alineen una directamente sobre la otra. Esto permite el movimiento de aire libre y proporciona a más espacio.

Luz Interior

- Para complementar la apariencia de su colección de vinos, se ha fabricado una luz suave en el enfriador de vinos. En la unidad controlada electrónica, simplemente presione el botón de "Light" (luz) y la luz se encenderá, presiónelo de nuevo para apagarla. En la unidad de control mecánica, el interruptor ligero está en el frente para su conveniencia. Para una eficiencia de energía máxima, apague la luz cuando no esté viendo su colección.

Cerradura de la Puerta (unidad de control electrónico solamente)

- Por razones de seguridad su enfriador de vino está equipado con una cerradura. Para eliminar el riesgo de que un niño quede atrapado accidentalmente, la cerradura fue diseñada para que la puerta no cierre con seguro hasta que la llave sea removida

Ruidos de Operación Normales que Pueda Escuchar

- Agua hirviendo, ruidos gorgoteantes o ligeras vibraciones que son el resultado del gas refrigerante circulando a través del serpentín de enfriamiento.
- La commande de thermostat cliquettera quand elle fait un cycle en marche et en arrêt

Cuidados y Limpieza Asecuada del Refrigerador del Vino

Limpieza y Mantenimiento

Advertencia: Para evitar una descarga eléctrica siempre desenchufe su refrigerador del vino antes de limpiarlo. El ignorar esta advertencia puede causar esiones o la muerte.

Precaución: Antes de usar productos de limpieza, siempre lea y siga las instrucciones y advertencias del fabricante para evitar lesiones personales o daños al producto.

En general:

- Prepare una solución de limpieza de 3-4 cucharadas de bicarbonato de sodio mezclado con agua tibia. Use una esponja o un trapo suave, humedecidos con la solución de limpieza, para limpiar su refrigerador del vino.
- Enjuague con agua limpia tibia y seque con un trapo suave.
- No use químicos fuertes, abrasivos, amoniaco, cloro, detergentes concentrados, disolventes o estropajos metálicos. ALGUNOS de estos químicos pueden disolver, dañar y/o decolorar su refrigerador del vino.

Empaques de la puerta:

- Limpie los empaques de la puerta cada tres meses de acuerdo a las instrucciones generales. Los empaques deben mantenerse limpios y flexibles para asegurar un sellado apropiado.
- El aplicar un poco de vaselina en el lado articulado de los empaques mantendrá el empaque flexible y asegurará un sellado apropiado.

Interrupciones de Energía

- Pueden ocurrir ocasionalmente interrupciones de energía debido a tormentas eléctricas u otras causas. Desenchufe el cable eléctrico del tomacorriente de corriente alterna cuando ocurra una interrupción en el sistema eléctrico. Cuando la electricidad haya regresado, vuelva a conectar el cable eléctrico a un tomacorriente de corriente alterna.

Vacaciones y Mudanza

- Para las vacaciones o las ausencias largas, desenchufe el refrigerador del vino y limpie las juntas del refrigerador y de la puerta del vino según la sección de la "Limpieza General". Mantenga las puertas abiertas para que el aire pueda circular en el interior. Al mudarse, siempre traslade el refrigerador del vino verticalmente. No lo traslade con la unidad colocada horizontalmente. Pudiera ocurrir un posible daño el sistema sellado.

Verificación de Problemas

El Refrigerador de Vino no Funciona:

- Revise que el refrigerador del vino esté conectado.
- Revise que haya corriente eléctrica en el tomacorriente de corriente alterna, revisando el interruptor de circuito.

El Vino Aparece Demasiado Caliente:

- Apertura constante de la puerta.
- Dé un plazo de la hora para el vino recientemente agregado de alcanzar temperatura deseada.
- Revise que los empaques estén bien sellados.
- Limpie el serpentín del condensador.
- Ajuste el control de temperatura al ajuste más frío.

El Vino Aparece Demasiado Frío:

- Si la configuración del control de la temperatura es demasiado fría, ajuste a una configuración más caliente

El Refrigerador de Vino se Enciende Frecuentemente:

- Esto puede ser normal para mantener una temperatura constante durante temperaturas altas y días húmedos.
- Las puertas pudieron haberse abierto frecuentemente o durante un largo periodo de tiempo.
- Limpie el serpentín del condensador.
- Revise que el empaque esté bien sellado.
- Revise que las puertas estén completamente cerradas.

Acumulación de humedad en el interior o exterior del refrigerador del vino:

- Esto es normal durante periodos de alta humedad.
- Apertura constante o prolongada de la puerta.
- Revise que los empaques de la puerta estén bien sellados.

La puerta del refrigerador del vino no funciona:

- Nivele el refrigerador del vino.
- Controle para saber si hay obstrucciones tales como botellas y estantes del vino.

Garantía Limitado

¿Qué está cubierto y por cuánto tiempo?

Esta garantía cubre cualquier defecto en la manufactura o empleo de materiales por un plazo de:

12 meses de mano de obra
12 meses en componentes
5 años en el sistema sellado

La garantía comienza en la fecha de compra del artículo, y la factura original de compra debe presentarse al centro de servicio autorizado para poder efectuar cualquier reparación que esté bajo garantía.

EXCEPCIONES: Garantía por Uso Comercial o

Bajo Arrendamiento

90 meses en mano de obra

(únicamente en taller)

90 días en componentes

Ninguna otra garantía es válida

¿Qué está cubierto?

1. Los componentes mecánicos y eléctricos que cumplen con alguna función de este aparato durante un plazo de 12 meses. Esto incluye cualquier componente con excepción de acabados y molduras.
2. Los componentes del sistema sellado, como por ejemplo: compresor hermético, condensador, y evaporador, por defectos de manufactura durante un plazo de 5 años a partir de la fecha de compra. Cualesquier daños a tales componentes causados por abuso mecánico o manejo o transportación inadecuada no serán cubiertos.

¿Qué se hará?

1. Repararemos o reemplazaremos, a discreción nuestra, cualquier componente mecánico o eléctrico que se muestre defectuoso por uso normal durante el plazo así especificado.
2. No habrá cargos para el comprador por las partes y la mano de obra en cualesquier artículos cubiertos durante el periodo inicial de 12 meses. Al término de este periodo solo las partes son cubiertas en la garantía restante. La mano de obra no está provista y debe ser cubierta por el cliente.
3. Localice su centro de servicio autorizado más cercano.

Para conocer el nombre del centro de servicio más próximo a su domicilio, por favor llame al 1-877-337-3639 (Válido solo en E.U.A).

ESTA GARANTIA CUBRE APARATOS DENTRO DEL TERRITORIO CONTINENTAL DE LOS ESTADOS UNIDOS, PUERTO RICO Y CANADÁ.

Daños por instalación inadecuada.

Daños por transportación.

Defectos que no sean por manufactura.

Daños por negligencia, abuso, accidente, alteración, falta de cuidado adecuado y de mantenimiento, o conexión a tensión eléctrica incorrecta.

Daños que no sean por uso doméstico.

Daños por servicio que no sea proporcionado a través de un distribuidor o centro de servicio autorizado. Molduras decorativas o focos reemplazables.

Envío y transportación.

Mano de obra (después de los primeros 12 meses).

ESTA GARANTIA LIMITADA ES PROVISTA EN SUSTITUCION A CUALQUIER OTRA GARANTIA EXPRESADA O QUE IMPLIQUE LAS GARANTIAS MERCANTILES SUJETAS A CIERTO PROPOSITO.

El amparo provisto por esta garantía es de uso exclusivo y se otorga en sustitución a cualquier otro amparo.

Esta garantía no cubre daños incidentales o sus derivados, por lo que las anteriores restricciones pueden serle ajenas. En ciertos estados no se permiten restricciones en lo que se refiere a la duración implícita de una garantía, por lo que las anteriores restricciones pueden serle ajenas.

Esta garantía le otorga ciertos derechos legales y es posible que usted goce de otros derechos, los cuales varían de estado a estado.

Haier America
 New York, NY 10018

IMPORTANT

Do Not Return This Product To The Store

If you have a problem with this product, please contact the "Haier Customer Satisfaction Center" at 1-877-337-3639.

DATED PROOF OF PURCHASE REQUIRED FOR WARRANTY SERVICE

IMPORTANT

Ne pas Réexpédier ce Produit au Magasin

Pour tout problème concernant ce produit, veuillez contacter le service des consommateurs 'Haier Customer Satisfaction Center' au 1-877-337-3639.

UNE PREUVE D'ACHAT DATEE EST REQUISE POUR BENEFICIER DE LA GARANTIE.

IMPORTANTE

No regrese este producto a la tienda

Si tiene algún problema con este producto, por favor contacte el "Centro de Servicio al Consumidor de Haier" al 1-877-337-3639 (Válido solo en E.U.A.).

NECESITA UNA PRUEBA DE COMPRA FECHADA PARA EL SERVICIO DE LA GARANTIA

115V, 60 Hz

Made in China
Fabriqué en Chine
Hecho en China

Haier

Haier America Trading, L.L.C.

New York, NY 10018

HVFM24B, HVF024B, HVF042B
Issued: MARCH 2006

Printed in China

Part #RF-9999-244